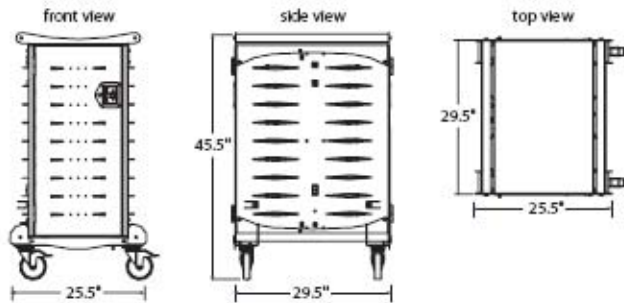


800-222-1440
 www.uptime4u.com
 product_specialists@uptime4u.com



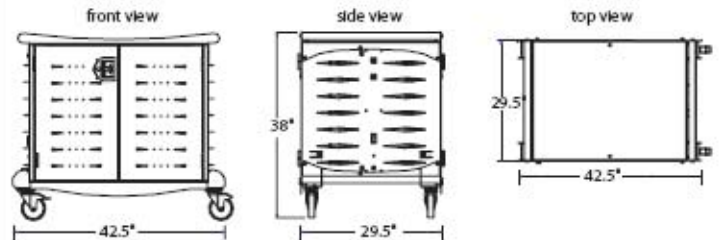
DIMENSIONS

20 Unit Laptop Storage Cart



Inside Storage Bay Dimensions: 15.5" w x 12" d x 3" h.

30 Unit Laptop Storage Cart



Inside Storage Bay Dimensions: 16" w x 12" d x 3" h.

DETAILS



Two Sizes.
 20-unit or 30-unit for maximum versatility.



Secure.
 Reinforced steel doors and a two point keyed locking system keeps hardware safe.



UL Listing.
 For both the electrical system and the cabinet so students won't get shocked.



Directional-Lock Casters.
 Easy to steer and no more runaway carts. Pneumatic tires are also available.



Comes Assembled.
 Just unpack it and go.



External Outlet and Switch.
 Add a projector and the cart becomes a teaching or work station.